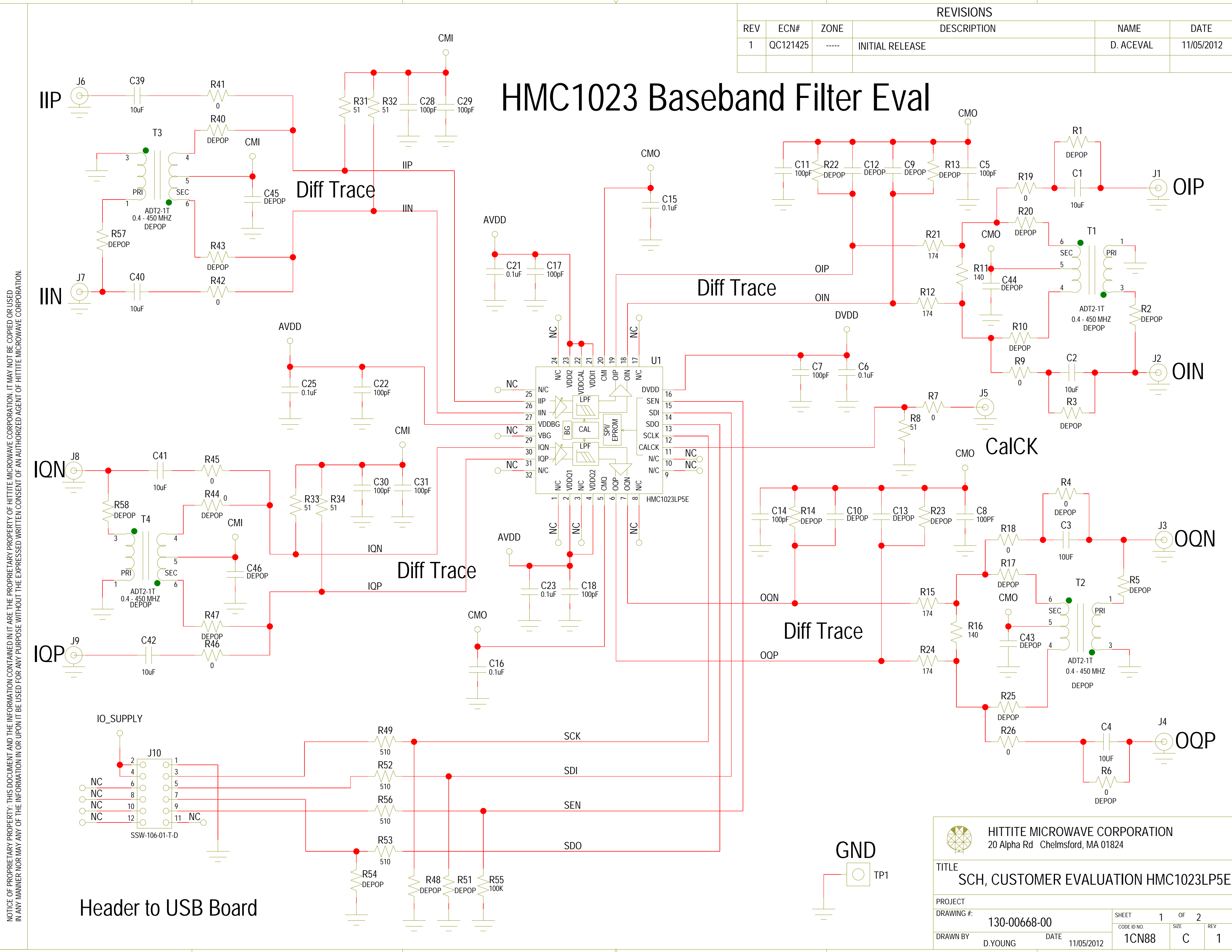


REVISIONS					
REV	ECN#	ZONE	DESCRIPTION	NAME	DATE
1	QC121425	----	INITIAL RELEASE	D. ACEVAL	11/05/2012

HMC1023 Baseband Filter Eval



NOTICE OF PROPRIETARY PROPERTY: THIS DOCUMENT AND THE INFORMATION CONTAINED IN IT ARE THE PROPRIETARY PROPERTY OF HITTITE MICROWAVE CORPORATION. IT MAY NOT BE COPIED OR USED IN ANY MANNER NOR MAY ANY OF THE INFORMATION IN OR UPON IT BE USED FOR ANY PURPOSE WITHOUT THE EXPRESSED WRITTEN CONSENT OF AN AUTHORIZED AGENT OF HITTITE MICROWAVE CORPORATION.

Header to USB Board

HITTITE MICROWAVE CORPORATION
 20 Alpha Rd Chelmsford, MA 01824

TITLE: SCH, CUSTOMER EVALUATION HMC1023LP5E

PROJECT: 130-00668-00

DRAWING #: 130-00668-00

DRAWN BY: D.YOUNG

DATE: 11/05/2012

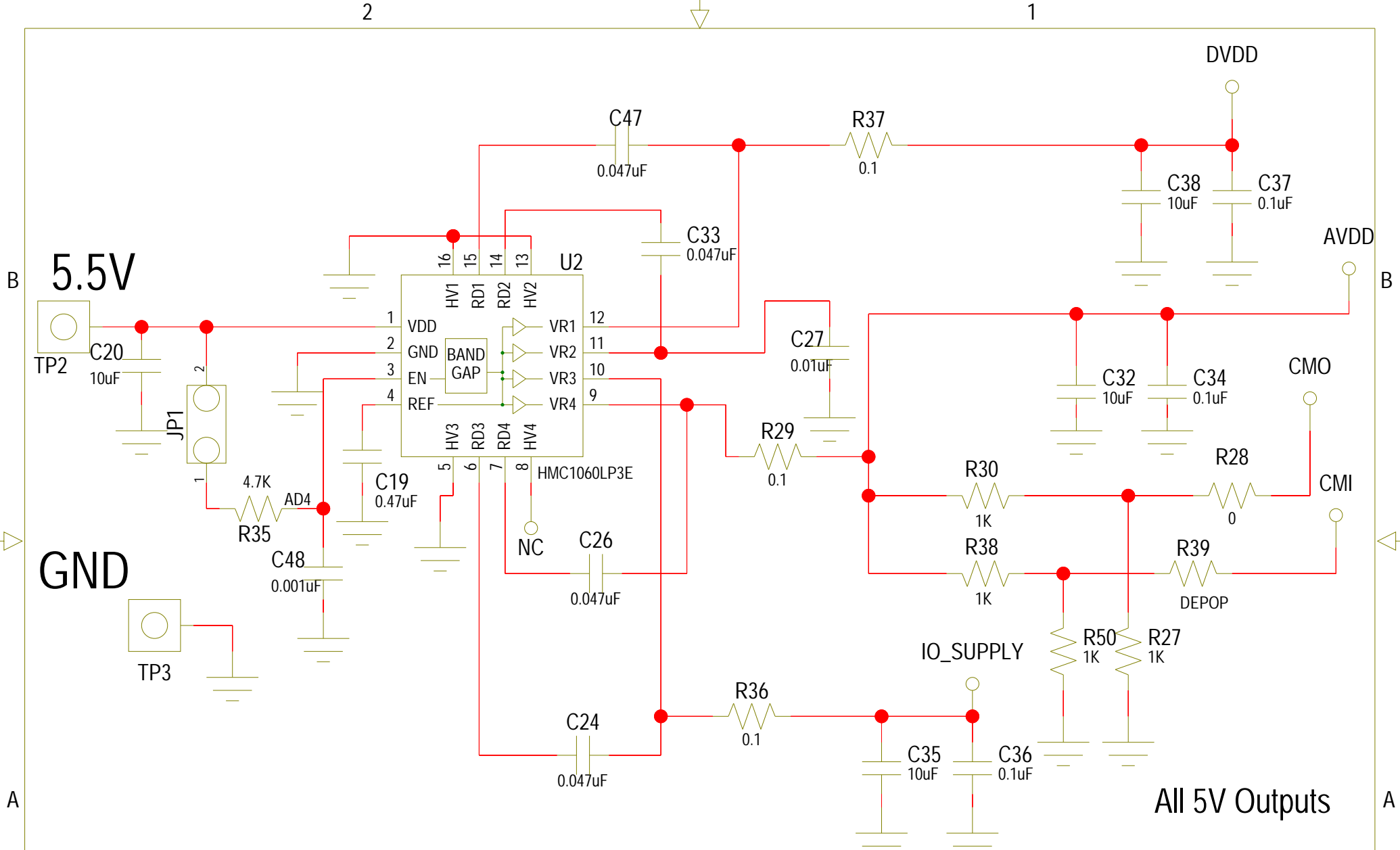
SHEET: 1 OF 2

CODE ID NO.: 1CN88


SIZE: C

REV: 1

05-11-2012_16:04



All 5V Outputs

 HITTITE MICROWAVE CORPORATION 20 Alpha Rd Chelmsford, MA 01824				
TITLE SCH, CUSTOMER EVALUATION HMC1023LP5E				
PROJECT				
DRAWING #:		130-00668-00		SHEET 2 OF 2
DRAWN BY		D.YOUNG		DATE 01/01/2010
		CODE ID NO.	SIZE	REV
		1CN88	A	1